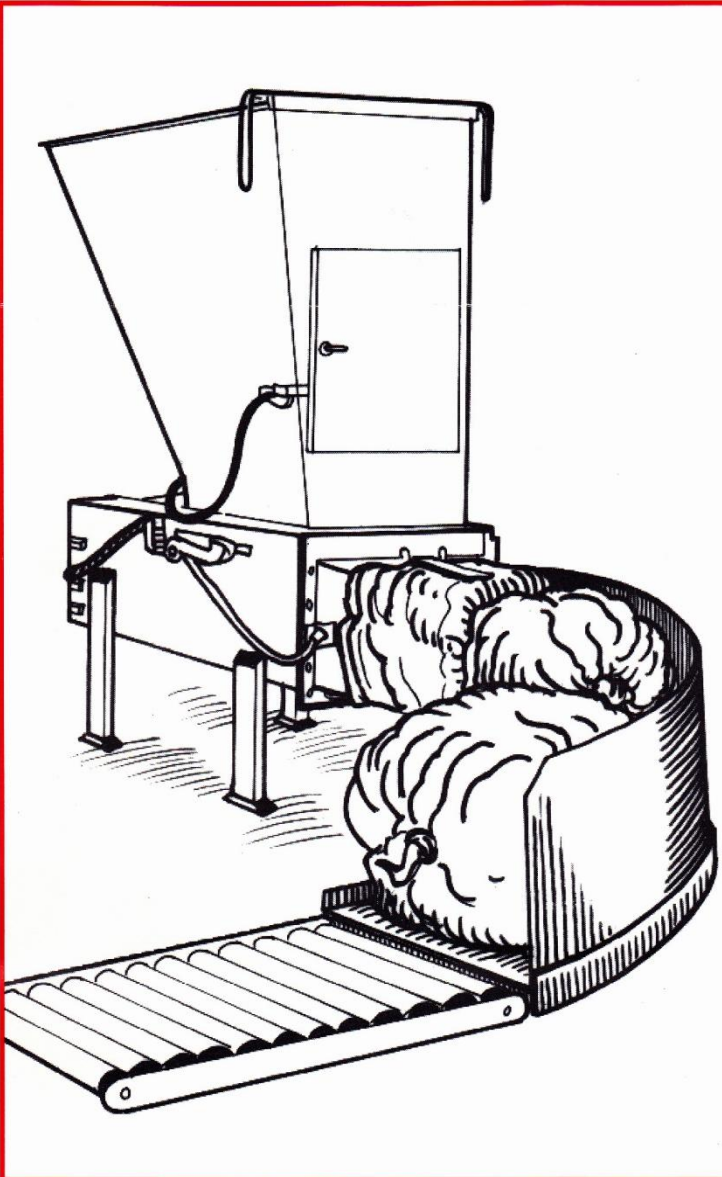


# PCS Model KIK-20



**REFUSE COMPACTOR**

*Replaceable wear plates and positive ram guides*

*Motor overload protection and fused circuitry*

*Over pressure protection*

*Access door safety interlock switch*

*“No-bag” cut-off switch*

*Manual chute cut-off gate*

*Suction oil filter*

*Electric eye control with time delay*

*Flexible cylinder mount*

*Magnet motor starter with overload protection*

*Off-On key switch*

*Operation mode lights*

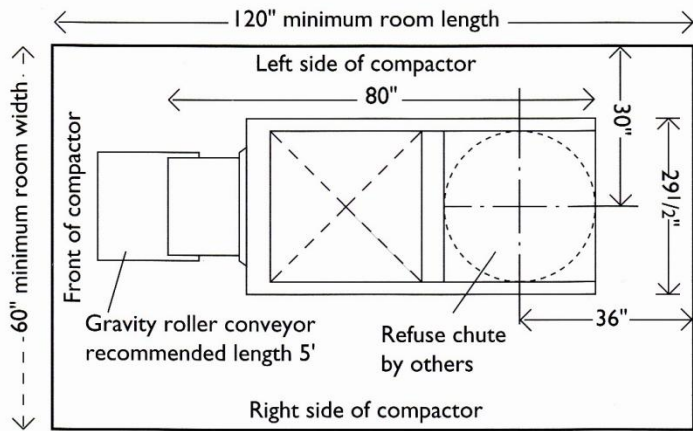
*Positive limit switching*

*Maximum chamber opening:  
21 inches x 24 inches*

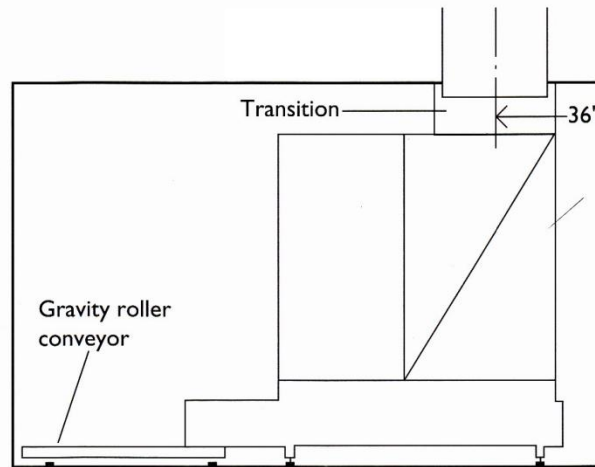
Premier Compaction Systems, LLC

[www.pcs-green.com](http://www.pcs-green.com)

800-877-7475



PLAN



ELEVATION

### GENERAL INFORMATION:

Height .....	68 inches
Width .....	29 1/2 inches (overall)
Length .....	80 inches
Chamber Size .....	over 6,000 cubic inches
Operating Capacity .....	16 cubic yards per hour
Operating Density .....	450 to 750 lbs. per cubic yard (adjustable)
Chassis .....	1/4 inch steel plate
Reducing Cone .....	3/8 inch steel plate (bolted to chassis)
Hopper .....	11 gauge steel, 1/4 inch impact plate
Shearing Teeth .....	Angle honed, hardened to 55/60 Rockwell
Cylinder .....	4 inch bore, 24 inch stroke, 2 inch rod
Conveyor .....	5 foot roller (standard)
Fire Protection .....	thermal head in compactor hopper

### HYDRAULIC POWER UNIT:

Hydraulic Pump .....	5 GPM, energy saving, duplex, HI-LO system
Motor .....	A. 1 1/2 h.p (standard) B. 3 h.p. (optional) C. 5 h.p. (optional)
Maximum Operating Pressure ..	3000 P.S.I.
Relief Valve .....	set at 2500 P.S.I. (adjustable to 3000 P.S.I.)
Directional Valve .....	solenoid operated
Unload Valve .....	set at 500 P.S.I.
Reservoir Oil Tank .....	5 gallons

### ELECTRICAL SERVICE:

Requirements .....	A. 110/220 volts, single phase, 20 amps, 60 hz., 3 wire
	B. 200/230/460 volts, three phase, 20 amps, 60 hz., 4 wire
	C. 200/230/460 volts, three phase, 30 amps, 60 hz., 4 wire

Premier Compaction Systems, LLC

[www.pcs-green.com](http://www.pcs-green.com)

800-877-7475