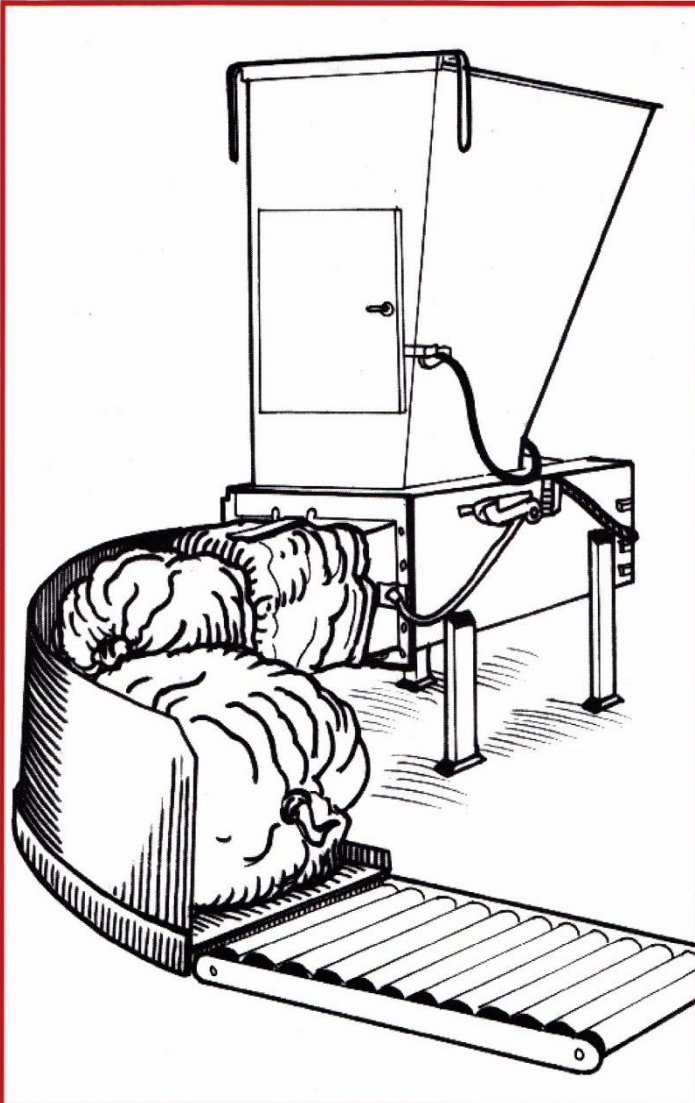


# PCS Model JAX-10



REFUSE COMPACTOR

*Replaceable wear plates and positive ram guides*

*Motor overload protection and fused circuitry*

*Over pressure protection*

*Access door safety interlock switch*

*“No-bag” cut-off switch*

*Manual chute cut-off gate*

*Suction oil filter*

*Electric eye control with time delay*

*Flexible cylinder mount*

*Magnet motor starter with overload protection*

*Off-On key switch*

*Operation mode lights*

*Positive limit switching*

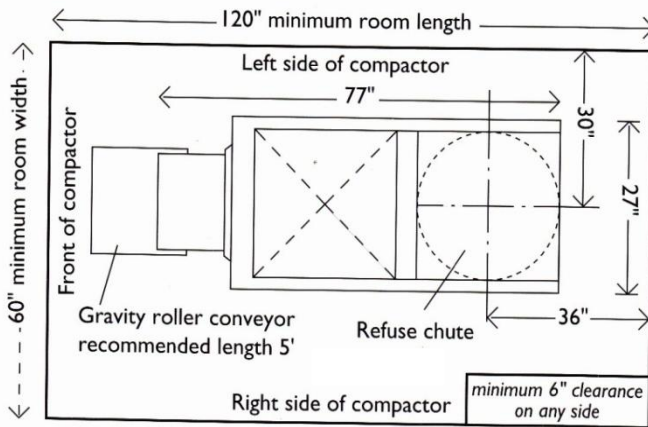
*Maximum chamber opening:  
19 inches x 24 inches*

Premier Compaction Systems

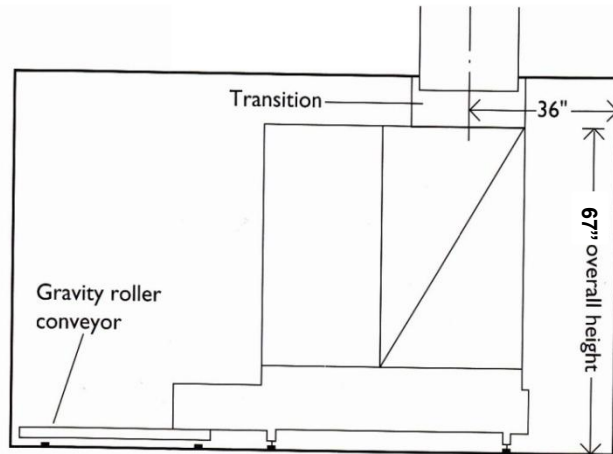
[www.pcs-green.com](http://www.pcs-green.com)

800-877-7475

# PCS Model JAX-10



PLAN



ELEVATION

## GENERAL INFORMATION:

- Height ..... 67 inches
- Width ..... 27 inches (overall)
- Length ..... 77 inches
- Chamber Size ..... 4,560 cubic inches
- Operating Capacity ..... 12 cubic yards per hour
- Operating Density ..... 450 to 750 lbs. per cubic yard (adjustable)
- Chassis ..... 1/4 inch steel plate
- Reducing Cone ..... 3/8 inch steel plate (bolted to chassis)
- Hopper ..... 11 gauge steel, 1/4 inch impact plate
- Cylinder ..... 4 inch bore, 24 inch stroke, 2 inch rod
- Conveyor ..... 5 feet (standard)
- Fire Protection ..... thermal head in compactor hopper

800-877-7475

## HYDRAULIC POWER UNIT:

- Hydraulic Pump ..... 5 GPM, energy saving, duplex, HI-LO
- Motor ..... A. 1 1/2 h.p (standard)  
B. 5 h.p. (optional)
- Maximum Operating Pressure .. 3000 P.S.I.
- Relief Valve ..... set at 2500 P.S.I. (adjustable to 3000 P.S.I.)
- Directional Valve ..... solenoid operated
- Unload Valve ..... set at 500 P.S.I.
- Reservoir Oil Tank ..... 5 gallons

## ELECTRICAL SERVICE:

- Requirements ..... A. 110/220 volts, single phase, 20 amps., 60 hz., 3 wire  
B. 200/230/460 volts, 3 phase, 30 amp, 60 hz., 4 wire

Premier Compaction Systems

[www.pcs-green.com](http://www.pcs-green.com)

800-877-7475