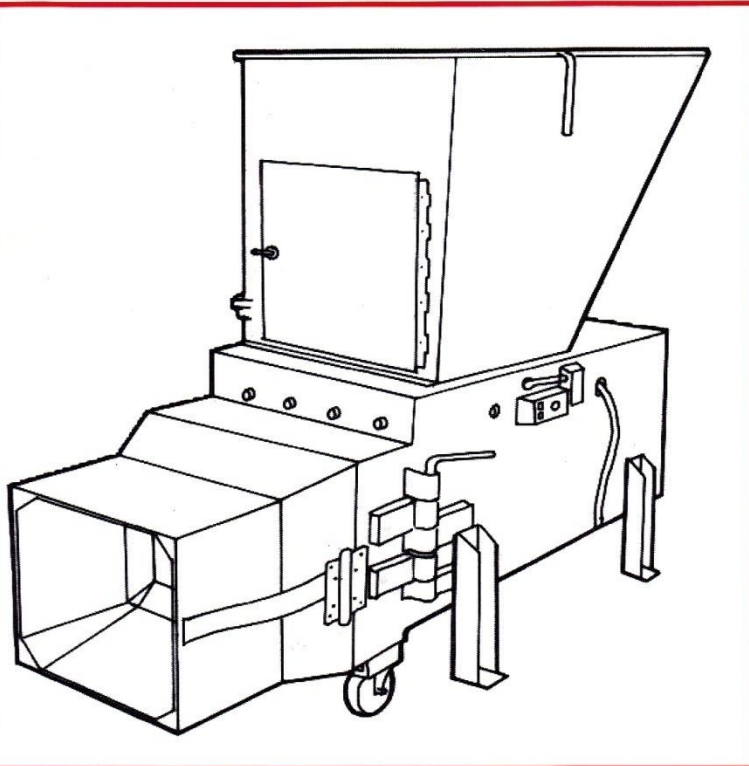


# PCS MODEL 25X0



## REFUSE COMPACTOR

**PCS – Model 25X0** Model is the highest volume extruder (compactor) on the market. It has been designed to operate continuously without the jamming which is common to other machines. The Model 25X0 is a completely automatic, chute fed, heavy duty machine, capable of handling the largest apartment buildings.

*Removeable nose cone makes this convertible to container packer*

*Replaceable wear plates and positive ram guides*

*Motor overload protection and fused circuitry*

*Over pressure protection*

*Access door safety interlock switch*

*“No-bag” cut-off switch*

*Manual chute cut-off gate*

*Suction oil filter*

*Electric eye control with time delay*

*Flexible cylinder mount*

*Magnet motor starter with overload protection*

*Off-On key switch*

*Operation mode lights*

*Positive limit switching*

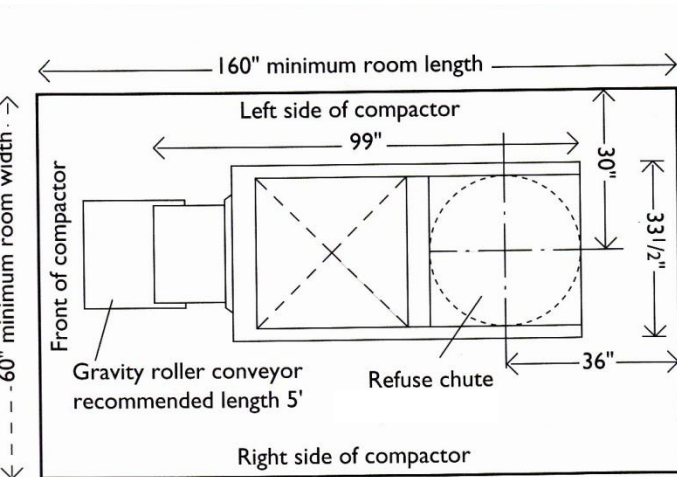
*Maximum chamber opening  
24 inches x 30 inches*

Premier Compaction Systems, LLC

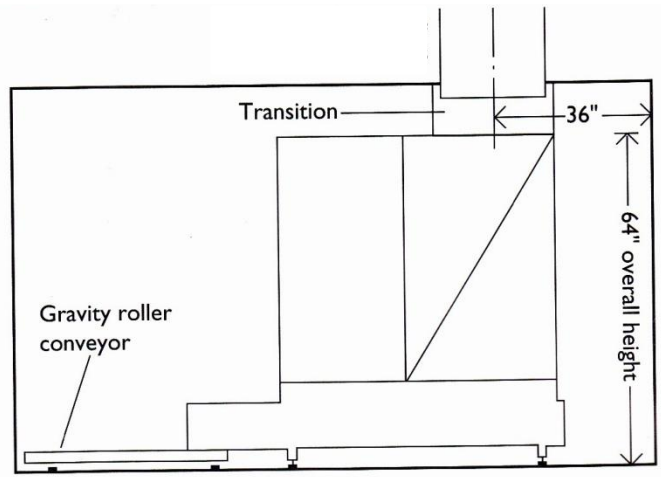
[www.pcs-green.com](http://www.pcs-green.com)

800-877-7475

# PCS MODEL 25X0



PLAN



ELEVATION

## GENERAL INFORMATION:

Height .....	64 inches
Width .....	33 1/2 inches (overall)
Length .....	99 inches
Chamber Size .....	12,960 cubic inches
Operating Capacity .....	33 cubic yards per hour
Operating Density .....	adjustable range 450 to 750 lbs. per cubic yard
Chassis .....	3/8 inch steel plate
Reducing Cone .....	3/8 inch steel plate, on casters and pinned to chassis (can easily convert to containers)
Hopper .....	11 gauge steel, 1/4 inch impact plate
Shearing Teeth .....	angle honed, hardened to 55/60 Rockwell
Cylinder .....	4 inch bore, 30 inch stroke, 2 inch rod
Conveyor .....	5 foot roller (standard)
Fire Protection .....	thermal head in compactor hopper

## HYDRAULIC POWER UNIT:

Hydraulic Pump .....	5.3 GPM, energy saving, duplex, HI-LO system
Motor .....	A. 3 h.p. (standard) B. 5 h.p. (optional)
Maximum Operating Pressure ..	3000 P.S.I.
Relief Valve .....	set at 2500 P.S.I. (adjustable to 3000 P.S.I.)
Directional Valve .....	solenoid operated
Reservoir Oil Tank .....	5 Gallons

## ELECTRICAL SERVICE:

Requirements .....	A.	220 volts, three phase, 20 amps, 60 hz., 4 wire
	B.	220 volts, three phase, 30 amps, 60 hz., 4 wire

Premier Compaction Systems, LLC

[www.pcs-green.com](http://www.pcs-green.com)

800-877-7475